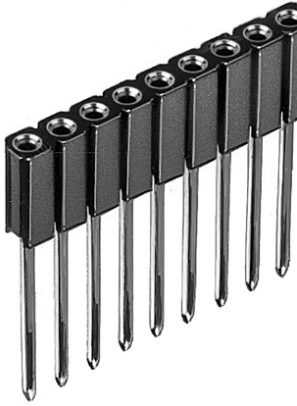


## Data sheet Product BL 9 2

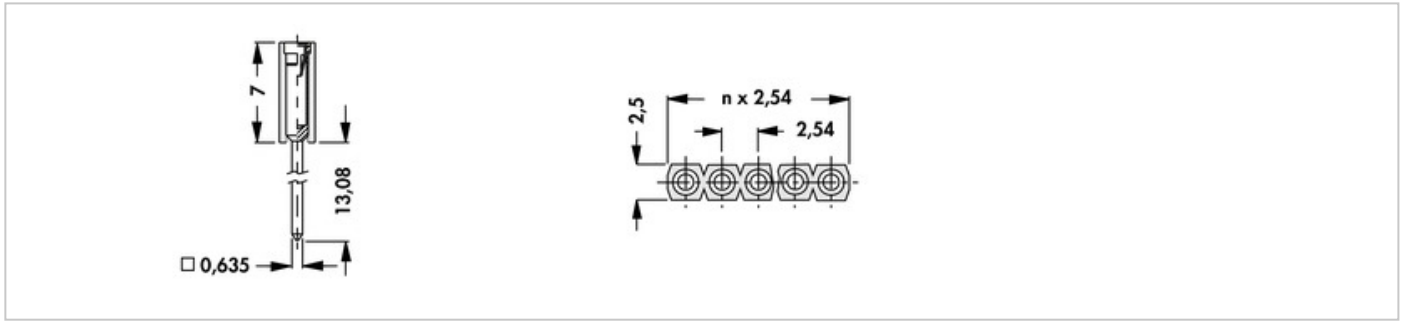


PCB connectors>Female headers  
for □ 0.635 mm and up to 0.85 mm Ø, with aligned Wire-Wrap contact pins; No capillary action when soldering due to protected contact insert.  
Separable! Therefore any required number of contacts is available.

**Features**

grid:	<b>2.54 mm</b>
no. of contacts:	<b>2</b>
contact material:	<b>CuZn-alloy</b>
contact sleeve:	<b>tin-plated</b>
surface contact / contact sleeve:	<b>Ni+4...6µm Sn</b>
contact spring:	<b>gold-plated</b>
inner contact spring material:	<b>CuBe-alloy</b>
inner contact spring surface:	<b>Ni+0,75µm Au</b>
type internal spring:	<b>6-fingers</b>
plugability for circuit points:	<ul style="list-style-type: none"> <li>• □0,55...0,65mm</li> <li>• Ø0,65...0,85mm</li> </ul>
insert depth:	<b>2.5...6mm</b>
insertion / drawing force:	<b>1.3N/0.3N</b>
shock resistance:	<b>50 g</b>
volume resistance:	<b>≤10 mΩ</b>
vibration resistance max.:	<b>15 g</b>
capacity between two adjacent contacts:	<b>≤ 0,3 pF</b>
nominal current:	<b>3 A</b>
nominal voltage:	<b>150 V DC</b>
test voltage:	<b>1500 V</b>
insulating body material:	<b>PA 4.6. GF</b>
temperature range:	<ul style="list-style-type: none"> <li>• -40°C... +163°C</li> <li>• (260°C/10 s)</li> </ul>
class of inflammability:	<b>UL 94 V-0</b>
version:	<b>Wire wrap pin, □0.635mm</b>
specific insulation resistance:	<b>&gt;10<sup>7</sup> Ω·m</b>
connection type:	<b>THT (soldering)</b>
reflow solderable:	<b>yes</b>

## Technical Drawing



**Fischer Elektronik GmbH & Co. KG**  
DEUTSCHLAND • GERMANY • ALLEMAGNE

Nottebohmstraße 28  
58511 Lüdenscheid

Telefon +49 2351 435-0  
Telefax +49 2351 45754

info@fischerelektronik.de  
www.fischerelektronik.de